

Height Adjustable Monitor Arm - Grommet / Desk Mount with Cable Hook

StarTech ID: ARMPIVOT

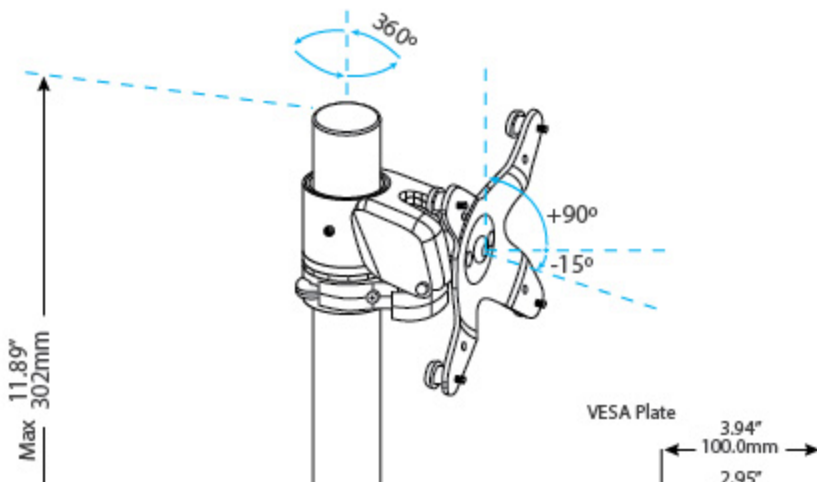


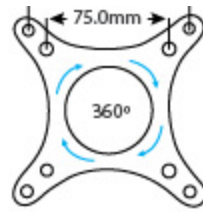
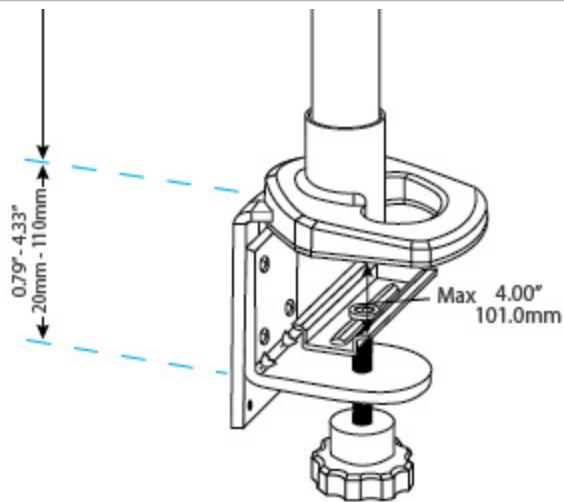
The ARMPIVOT Adjustable Monitor Arm lets you mount a display to your desk or table on a simple yet stylish monitor pole, with tilt, pivot and height adjustments.

The desk-mount monitor arm features an 11.89in (302mm) tall support post, for a much greater height adjustment range than a typical monitor stand can provide. For viewing longer pages or blocks of code without scrolling, the LCD arm also supports landscape to portrait display rotation.

Mounting your displays on a support post above the desk surface enables you to adjust your display height, position and viewing angles easily for an ergonomic work environment, with the added benefit of reclaiming valuable workspace on your desk.

Supporting 12 - 30" displays up to a maximum weight capacity of 30lbs (14kg), the monitor mount holds your display with ease, and integrates a cable management hook to keep things neat. For added installation flexibility, the included mounting hardware can either clamp to the side of your desk, table or mount through a grommet hole.





Backed by a StarTech.com 2-year warranty and free, lifetime technical support.

Applications

- Mount a display to the side of your desk or table with tilt, swivel and height adjustment capabilities
- Grommet mount your display through a desk or above a server cabinet and position as needed
- Lift your display higher above your desk surface for ideal viewing angles
- Rotate displays to portrait orientation for web design and coding

Features

- Adjustable monitor arm with several position / viewing angle adjustments
- Supports displays from 12 to 30" (30lbs / 14kg capacity)
- 360° rotation around the support post
- +90/-15° Tilt
- Landscape to portrait screen rotation
- Includes convertible desk / grommet-mount clamp
- Clamp fits desks up to 4in (101mm) thick
- Integrated cable management

Technical Specifications

Warranty	2 Years
Mounting Options	Desk / Grommet Clamp
VESA Hole Pattern(s)	75x75 mm
VESA Hole Pattern(s)	100x100 mm
Wallmountable	No
Display Rotation	360°
Height Adjustment	Yes
Maximum Display Size	30in
Mounting Surface Thickness	0.39 - 4in (10 - 101mm)
Swivel / Pivot	360° around the support post
Tilt	+90° / -15°
Weight Capacity	30.9 lb [14 kg]
Color	Silver
Enclosure Type	Steel and Plastic
Product Weight	4.4 lb [2 kg]
Shipping (Package) Weight	5.7 lb [2.6 kg]
Included in Package	1 - Support Post
Included in Package	1 - Monitor Mount
Included in Package	1 - Large C Clamp
Included in Package	1 - Small C Clamp
Included in Package	1 - Hand Screw
Included in Package	1 - Pressure Plate
Included in Package	4 - Thumb Screws
Included in Package	4 - M6x12mm Phillips Screws
Included in Package	4 - M5x14mm Hex Screws
Included in Package	1 - M4x15mm Phillips Screw
Included in Package	1 - Male Round Washer
Included in Package	1 - Female Round Washer
Included in Package	1 - Cable Clip
Included in Package	1 - EVA Cushion
Included in Package	1 - M3 (2.5mm) Allen Wrench
Included in Package	1 - Instruction Manual

Certifications, Reports and Compatibility

